

ROPEX 2016 Dealers – refer to Table number inside for location

Table 1 Tom's Stamps

PO Box 470, Butler, PA 16003-0470
tomsstamps@zoominternet.net (724) 287-1931
Classic US mint/used and worldwide stamps, lots

Table 2 Dave & Joni Allego

PO Box 69, Salem, OH 44460
dallego@neo.rr.com (234) 567-4181
Worldwide covers, cinderellas, ephemera

Table 3 Suburban Stamp and Coin

PO Box 2338, Syracuse, NY 13220
memistamp@aol.com (315) 452-0593
US and worldwide stamps, US coins

Table 4 Armstrong Cachets

PO Box 24663, Rochester, NY 14624-4663
karmstr2@rochester.rr.com US FDCs

Table 5 Al Greco Stamps

1190 Nolan Rd, Macedon, NY 14502
alfredgreco@verizon.net (315) 986-7948
US & worldwide stamps, US & Canadian revenues

Table 6 Richfield Philatelic Company

113 Richfield Ave, Buffalo, NY 14220
billwits@aol.com (716) 826-1242
US and worldwide stamps & covers, collection lots

Table 7 Canterbury Stamps & Dollar Table

10 Chaucer Rd, Nashua, NH 03062
adaptron@comcast.net (603) 888-4317
Worldwide, US (singles & mint sheets), topical

Table 8 S & C Resnick

2783 W Lake Rd, Cazenovia, NY 13035
resn@aol.com (315) 655-2810
Stamps, postal stationery, ephemera

Single Frame Exhibits

Edward J. Bailey Canada Semi-Official Airmail Covers
Edward J. Bailey CCCC-A Tribute to Ron Traino
Edward J. Bailey First Day Cover Pioneers
Edward J. Bailey Red Cross FDCs of 1981
Fred Haynes Minerals on Stamps
John M. Hotchner Auction Descriptions for U.S. Specialist
John M. Hotchner Usages of the 4.5¢ Prexie 1938-1969
Stephen Suffet What I collect
Florence Wright The Christmas Seal

Table 9 Collins First Day Covers

PO Box 188, Allentown, NJ 08501
collinscachets@yahoo.com (609) 259-0939
Collins hand painted First Day Covers

Table 10 McCloud Stamps & Covers & Dollar Table

109 Maple Center Rd, Hilton, NY 14468
jtoltz@rochester.rr.com (585) 392-3599
US, Canada, Br. Commonwealth, France, US coins

Table 11 1840-1950 Mostly Stamps

PO Box 423, Milford NH 03055-0423
hstamps@jlc.net (603) 673-7180
US, British & worldwide-stamps, covers, lots

Table 12 Laurence L. Winum

PO Box 247, Walden, NY 12586-0247
winum@frontiernet.net (800) 914-8090
US and Germany stamps and covers

Table 13 C&D Philatelics

PO Box 158, Ruby, VA 22556-0258
chamil302@aol.com (540) 752-1369
Worldwide covers, space, US, FDCs

Table 14 Donofrio Philatelics

110 Chestnut Dr, Rochester, NY 14624
loofer@rochester.rr.com (585) 747-7218
US, Canada and worldwide stamps

Table 15 Doubleday Postal History

PO Box 119, Alton, NH 03809
doub@worldpath.net (603) 875-1808
US postal history

Table 16 Historical Prints and Postals

Rspinell@rochester.rr.com 585-749-3038
Researched farmable prints and postal
for the past 400 years

Multi-Frame Exhibits

David Durham Merry Christmas from Swiss Post
Tom Fortunato Life is Just a Bowl of Cherries
Fred Haynes A Philatelic Trip Through Norway
Robert A Philatelic Study of the 1898
Lighthouse Canadian Map Stamp
Alan Parsons The 1929 Sullivan Commemorative
Larry Rausch Identification & Use of U.K. One
Penny (1d) Perfins 1868-1880
Ray Stone Norfolk Island Overprints
Florence Wright Crusade Against Cancer

ROPEX 2016 Rochester Stamp Show

May 20-22

Greater Canandaigua Civic Center,
250 North Bloomfield Road,
Canandaigua, NY 14424

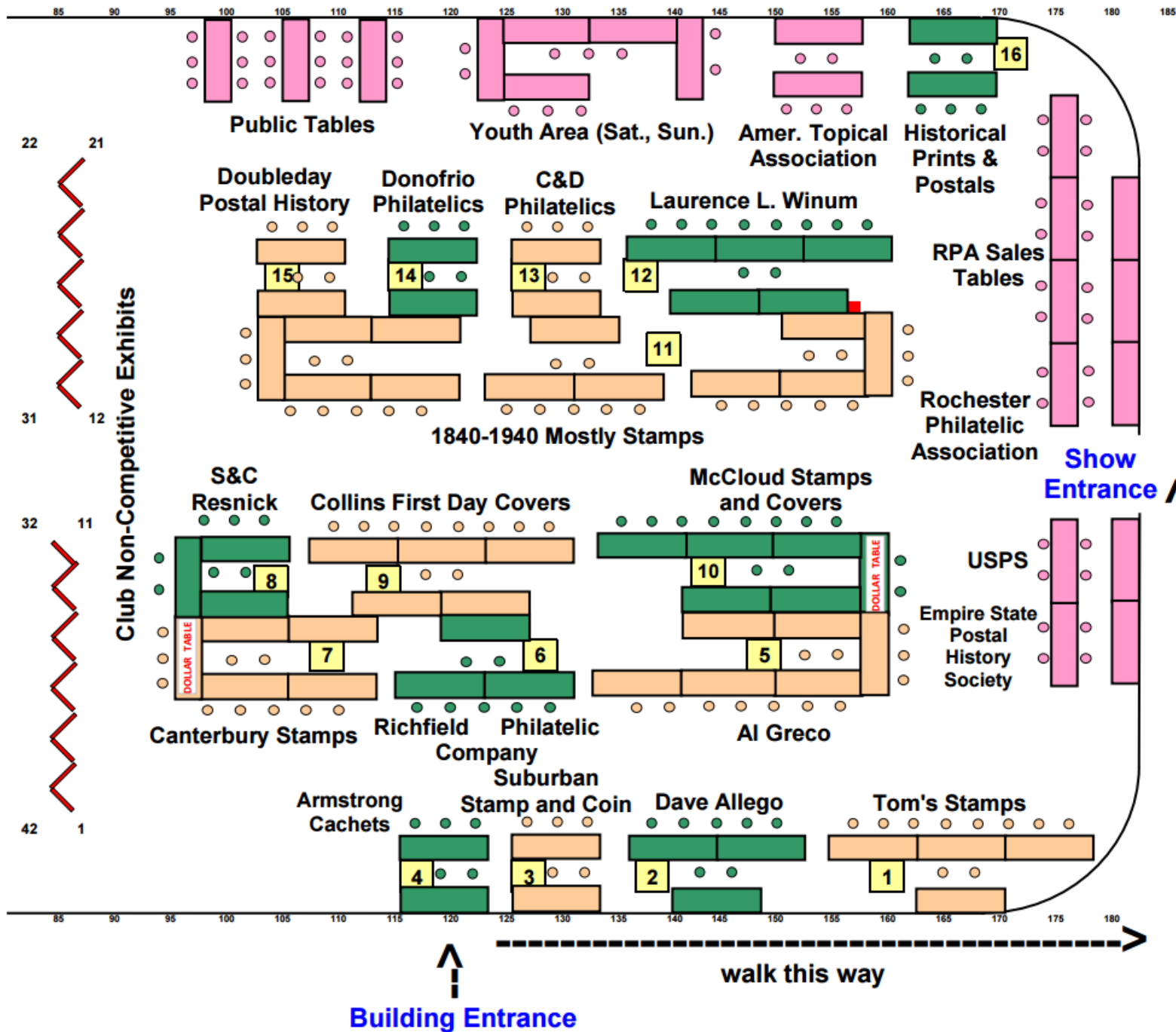
Show Theme:
*Honoring
Our
National
Parks*



A Presentation of the Rochester Philatelic Association
www.rpastamps.org



Welcome to the 2016 ROPEX Stamp Show in Canandaigua, New York



Check out the RPA table where you will find a wide variety of items for sale, from 10 cent pick and choose stamps to sets, albums and collections. You'll also find several ROPEX dealers with Dollar Tables where everything is \$1 of less.

Be sure to check out the exhibits in the back. All were contributed by members of the Rochester Philatelic Association.

If you collect stamps you should consider joining the Rochester Philatelic Association. Pick up an application at the RPA Welcome Table.

Visit the youth table and check out the Design-A-Stamp entries.

