

Hinges & Tongs



In this Issue:

May – July 2017

ROPEX 2017 • Panara First Day
President's Message • Upcoming Meetings • Club Election
Cypripedium Orchids • George Rogers Clark FDC
Perforation Gauges • David Durham Exhibit
Mary Robinson • Solar Eclipse Stamp

Copyright, 2017, Rochester Philatelic Association
Editor: Fred Haynes (fredmhaynes55@gmail.com)

The Rochester Philatelic Association, PO Box 10206 Brighton Station, Rochester, NY 14610 <http://www.rpastamps.org>



The Rochester Philatelic Association is again sponsoring ROPEX, a national WSP exhibition, Friday and Saturday, May 19-20 from 10 AM to 6 PM daily at the Greater Canandaigua Civic Center, 250 North Bloomfield Road.

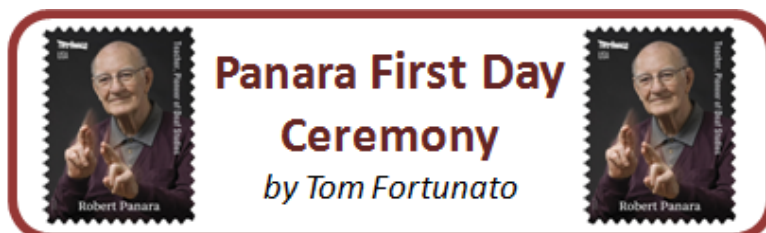


This year's show features 17 dealers from the eastern and central US. Dealers are encouraging collectors to contact them by email or phone in advance to make sure items of interest will not be left behind. USPS will have a booth, as will the APS and ATA. ROPEX is commemorating the 200th anniversary of the start of Erie Canal construction. A pair of specially designed cachets will be available.

An exhibit on the theme will be featured along with 24 other competitive displays vying for medals, special prizes from 15 different societies and the honor of being best in show. Judging will be Bill Schultz (Chief), Sam Chiu and Ken Martin. The multi-frame grand will represent ROPEX at Stampshow 2017 in Richmond, while the single frame grand will compete at AmeriStamp Expo in Birmingham in February.

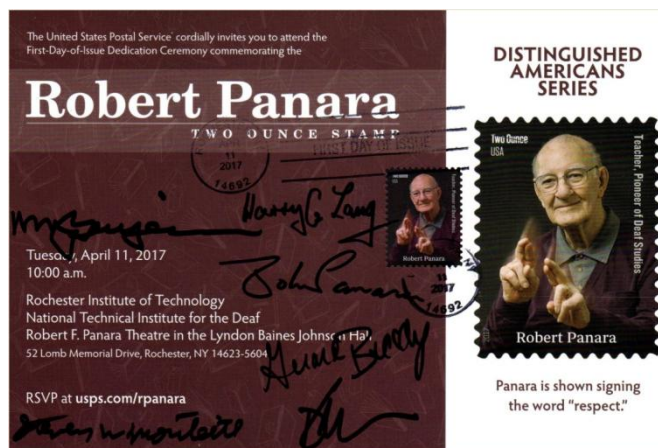
Full show details can be found online at <http://www.rpastamps.org/ropex.html>

Hinges & Tongs



On April 11th, about 400 invited guests, RIT officials and members of the public packed the Panara Theater on the RIT campus to honor the newest U.S. stamp, a 70 cent 2 ounce "forever" issue depicting professor emeritus Dr. Robert F. Panara, a founding faculty member of the National Technical Institute for the Deaf. He died less than 3 years ago at the age of 94, leaving a legacy unmatched in the national deaf community.

Panara was born in 1920 and only became deaf at the age of 10 after a coma brought on by spinal meningitis. He received a degree from Gallaudet College in 1945 and taught English and drama there for 18 years. He became the first deaf faculty member of NTID in 1967 and continued teaching English to combined deaf and non-deaf classes, later establishing the NTID drama program. Dr. Panara was noted for his advocacy of American sign language and its widespread implementation, opening doors formerly shut to the deaf. Closed captioned TV and movies owe their creation to him. His passions included baseball, having met Babe Ruth as a youngster, and was frequently seen at Rochester Red Wing games.



continued on page 3 (See Panara First Day)

May - July, 2017

page 1

President's Message



Fellow RPA members,

This is my last H&T message as your President. As you know, my second and final term ends on August 30. When I assumed the Presidential position in 2013, our elected Board and I chose to focus on three specific platforms: making every RPA meeting as interesting as possible, involving every attending member in each and every meeting, increasing club and meeting attendance as much as possible. We also pledged to continue to deliver those traditional functions for which we as a club are known (ROPEX, Hinges & Tongs, called auctions, silent auctions, circulating sales, local publicity, free appraisals, a professional website, etc.) in as professional manner as possible. For the most part, I think we accomplished those objectives, and I want to thank the officers and you, the members, for making them happen.

As a club, we are blessed to have members dedicated to many club objectives. With their continued dedication, I wish the next President, officers and Board of Directors best wishes for continued success as we begin our 105th consecutive year of existence.

Thanks, everyone, for your support these past four years. See you at ROPEX 2017.

Rich Spinelli, RPA President

Upcoming RPA Meetings

- Thurs. May 11** "The World's Most Unusual Stamp"
Bring your favorite from your collection and we'll also search the club's material for interesting and unusual stamps
- Thurs, May 25** "JFK on U.S. Covers"
by Luis Greiff, Jr.
- Thurs. June 8** "Women on Stamps, Club Election"
(multiple presenters likely)
- Thurs. June 22** "Annual Strawberry Meeting"
- Thurs. July 13** Joint RPA/RNA meeting,
Presentation by John Kellas that will be of interest to both groups
- Thurs. August 10** – TBA

Meetings begin at 7 PM at the JCC in Brighton. The first half hour is for silent auction, show/ trade among members, and general member interaction. The night's program begins at 7:30 PM.

If you have a topic you think the group would enjoy, just let us know. Please plan to talk to us about your favorite philatelic pastime. Let Ray Stone (585-266-2524) know you are interested.

Club Election Draws Near

A Nominating Committee consisting of Rich Spinelli, John Kellas and Frank Tritto was appointed at April 13th meeting to seek a slate of officer candidates. In accordance with the RPA Constitution, the election for club officers will take place during the June 8th meeting. Members present at that meeting in good standing may vote, with a simple majority deciding the winners. Refer to Article 3 sections 3.1.1 and 3.1.2 for specifics. Written ballots are not required for this election.

The two-year positions include President, Vice President, Recording Secretary, Treasurer, and one three-year Board position. Current president Rich Spinelli has reached his 4 year limit and cannot run for that position again this year. Two incumbents seek another term—Treasurer Dave Robinson and Board member Bob Kingston. Candidates for President, Vice President, Recording Secretary, Treasurer, and Board Member will be announced by the Nominating Committee at the May 25th meeting.

All members are encouraged to attend BOTH THE MAY 25 AND JUNE 11 MEETINGS, in particular to be involved in the election process and to voice their opinions on matters to be brought before them in addition to voting.



STAMP INSIDER
March-April 2017

Lots of news on New York Club activities and some interesting philatelic feature articles.

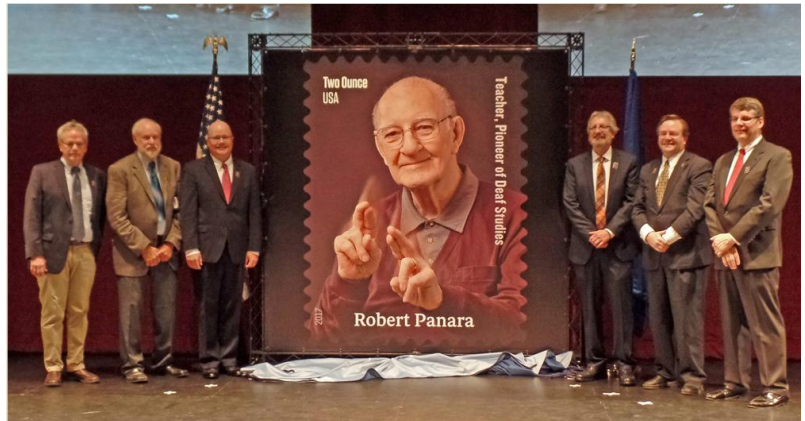
[LINK to MARCH-APRIL STAMP INSIDER](#)

Panara First Day *(cont. from pg. 1)*

First day ceremony programs were handed to all attendees along with a pin featuring the stamp on entering the auditorium. Presenters at the RIT ceremony included USPS Chief Operating Officer David E. Williams, NTID President Dr. Gerard Buckley, and Panara's son John, who is a NTID instructor. Most notable was the presence of dozens of Dr. Panara's former students and colleagues who were recognized in the audience and very enthusiastic throughout the event. An autograph session was held shortly after the hour-long program.

The stamp was printed by Banknote Corporation of America in Brown's Summit, South Carolina in sheets of 20 and only sold at the ceremony in full sheets. Postal officials sold an assortment of collectibles, including blank envelope FDCs with the standard four bar "First Day of Issue" postmark (\$1.14), blank envelope FDCs with the color pictorial postmark (\$1.85),

FDC ceremony programs (\$6.95), a "keepsake" of an entire sheet of stamps with a color pictorial FDC (\$15.95) and a framed art panel with a copy of the photo used on the stamp, a block of 4 and small inscribed plate (\$39.95). A free pamphlet showed these and other USPS commemorative Panara collectibles available by phone or online at usps.com/shop.



The new Robert Panara stamp is unveiled. From left to right, RIT/NTID photographer Mark Benjamin, retired professor David E. Williams, COO and Executive VP of the USPS David Long, faculty member John Panara, RIT/NTID President Gerry Buckley and Steve Monteith, VP of Marketing of the USPS. *Photo by T. Fortunato*

George Rogers Clark First Day of Issue by Larry Rausch



This cover was picked from a dealer's dollar box and what a nice find it was. The 2 cent stamp is Scott # 651 issued at Vincennes, Indiana, and was designed by F.C. Yohn, on Feb. 29, 1929 with a printing of 16.7 million.



Around 1732, the French built a settlement on the Wabash River. This waterfront trading post, named

Vincennes, was the first permanent European settlement in Indiana. It was named after its founder, the Sieur de Vincennes. The British gained control of Vincennes in 1763 after the French and Indian War. In 1777, during the Revolutionary War, the British built Fort Sackville at Vincennes.

Frontiersman and soldier, **George Rogers Clark** (1752-1818), was living in Kentucky at this time. The Federal government refused to aid the Kentuckians when Indians, with British military supplies, began staging raids in the area. Clark assembled a force of 175 men and began fighting in the Northwest Territory – the land north of the Ohio River, south of Canada, west of Pennsylvania, and east of the Mississippi River. In 1778, Clark took Fort Sackville, and with it, Vincennes. Clark's victory at Vincennes and other settlements were paramount to the U.S. claim of ownership of the vast Northwest Territory at the end of the Revolutionary War.

George Rogers Clark was the father of six boys, five of which fought in the American Revolutionary war. His youngest son, [William Clark](#), was too young to fight in the war, but later became famous as a leader of the [Lewis and Clark Expedition](#).

Take a Close Look

by Tom
Fortunato

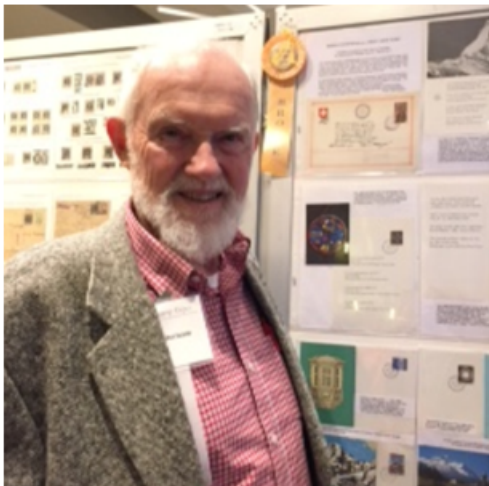
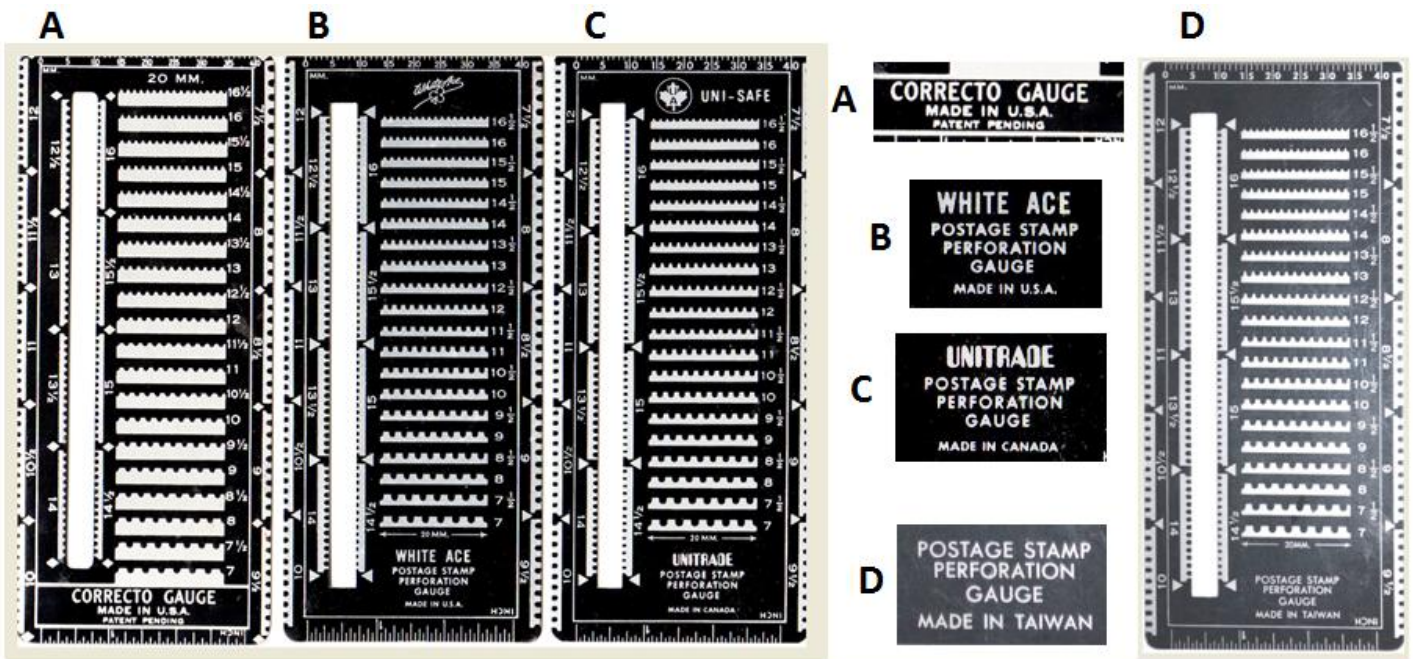


If you're like me through the years you have gathered a lot of philatelic "stuff." Just tonight I started my spring cleaning and ran across a surprise.

We all probably have at least one of the classic black and silver perforation gauges. In fact, I have five, but have to admit I never actually compared them before. Sure enough, three of

the five are "varieties." The first **(A)** is a "CORRECTO GAUGE" and is probably the oldest of the three. It has a very thick rectangular area just below the pointy perfs themselves and is "Made in the U.S.A" with "PATENT PENDING". Well, that patent may have passed on to White Ace, whose perf gauge **(B)** is similar in design except it dropped the thick rectangle appearance. That gauge looks exactly the same as its Canadian counterpart **(C)** produced by Unitrade. These latter two added their respective logo to the top of their gauge. So which of these gauges do you have? Can you find another variety among your "stuff"?

*Editor's Note: Naturally I had to check mine, and surprise, surprise, mine **(D)** is yet another variant. Yes, I have the "Made in Taiwan" version. Mine must be several decades old as it belonged to my parents.*



David Durham and the lead frame of his exhibit.

American Helvetia Philatelic Society by David E. Durham

I have just returned from the Annual Meeting of our American Helvetia Philatelic Society. The meeting was a part of the St. Louis Philatelic Expo, one of APS's national exhibitions.

I had enjoyed creating my colorful "Merry Christmas and Happy New Year" exhibit of holiday cards the Swiss Post has sent each fall to all its clients since 1965. I received a Bronze Medal for my work. The Gold Medal Swiss exhibits were utterly awesome - the exhibit winner had a million dollars worth of material! As I have been a member of AHPs for over 30 years, I enjoyed visiting with cream-of-the-crop collectors from around the nation. One especially interesting fellow is the chief chemist there of Budweiser - but he didn't bring samples...

Cypripedium Orchids Paul Brach



To most of us they are lady slippers or simply orchids. But to Paul Brach they are called *Cypripedium* orchids. A specific genus of orchids of which there are 58 species, each with their own color, petal shape, stamen, and sepal design. At our March 9th meeting, Paul described all the features of these gorgeous flowers using the multitude of world-wide stamps that have been issued featuring *Cypripedium* orchids.

Paul started with *Cypripedium calceolus*, the yellow lady slipper orchid that is found throughout most of Europe and Asia. Many countries have featured this orchid on their stamps. Paul showed us 16 during his presentation. Some have done it accurately and with good attention to the detail that define this orchid species. Others have taken artistic license to design pleasing stamps, but perhaps not botanically correct.



***Cypripedium calceolus* orchids:** The Great Britain stamp depicts the orchid well. The United Nations stamp is accurate right down to the red dots on the stamen. But the artist of the Romania stamp took some license, enhancing the stripes on the yellow slipper and adding some to the red lateral petals.

Paul next turned his discussion to North American *Cypripedium* orchids, of which there are several. In western New York State one can find *Cypripedium acaule*, which is commonly known as pink lady slipper and Mocassin Flower. The photograph (upper left, next column) is Paul's from a Genesee County location. The island country of St. Pierre & Miquelon featured this orchid on a stamp in 1962.

There are also yellow lady slipper orchids in North America and both Canada and the United States have featured varieties on their stamps. The Canadian stamp (next column) depicts the lesser yellow lady slipper, *Cypripedium parviflorum*. The 1984 US stamp is interesting in that it is labeled as *Cypripedium calceolus*. At that time the yellow

North American orchids were considered variations of the European species. However, this appears to be the greater yellow lady slipper, which is now known as *Cypripedium pubescens*.

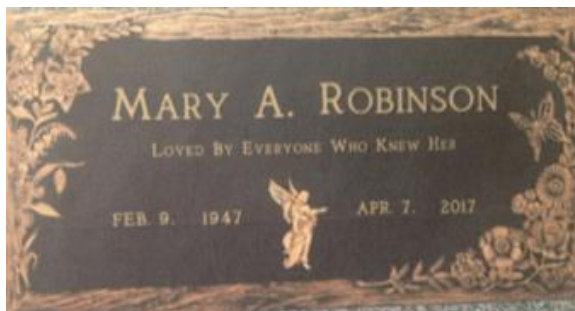


North American *Cypripedium* orchids.

You can see Paul's full presentation and collection of *Cypripedium* orchid stamps on our website meeting page. [Here is a link](#) to the meetings page.



On February 23rd, we held our traditional winter auction at our regular meeting. John Kellas and Rich Spinelli called the event. The center table was full of items when the evening commenced, but by the end, the table was bare. The club made a little money, club members who submitted items made a bit of cash, and just about everyone went home with new items for their collections.



The Rochester Philatelic Association suffered a huge loss in April when Mary Robinson passed away after a long battle with cancer. Mary was David Robinson's wife of 47 years, a friend to many RPA members, and simply a wonderful person to be around. She was truly "loved by everyone who knew her". In addition to David, Mary is survived by two children, David and Kristen, and by two sisters, Shirley and Barbara.



Mary Robinson, with David

Frank Tritto writes: *It is with a heavy heart that I sit down to write these few words acknowledging our loss with your passing. We will all miss your smile, your candid reflections on life, your laughter, and the joyful smile on that beautiful face. We who are left behind thank you for sharing David with us. Personally I will miss those occasional elbow jabs at lunch at the Morningstar each Tuesday as you seek my attention to get your point across. God now has you in his heaven, but you remain in our hearts forever.*

Ada Marie Prill writes: *For me the really remarkable thing about Mary was her unfailingly positive attitude. She was always vibrant and never talked about the bad*

things that were happening to her. She accepted chemo as just another one of life's routines and never complained about how it made her feel. She focused instead on the bus trip she had just taken or was about to take or the great time she had with her sister or a friend the day before. She was so upbeat that she didn't even seem to be sick. She was sunshine in a cloudy world, a real inspiration.

USPS NEW ISSUE IS OUT OF THIS WORLD

On August 21, the sun will disappear for more than 2 minutes across a wide swath of the nation and the USPS is not missing out on the action. A month prior to the eclipse and aligned with the summer solstice, a single Forever stamp will be issued to commemorate the event. The first day of issue will be in Laramie, Wyoming on June 20th.



One stamp or two stamps? Just one, but printed with a special thermochromic ink. When cool, the stamp will depict the total eclipse and the moon will be black. When warm, as from the touch of the thumb, the stamp will show the full image of the moon, which will fade back to the eclipse form when it cools back down.

The USPS claims that the ink's capacity to effectively store the hidden image will fade if exposed to direct sunlight (interesting aspect for an eclipse stamp). They plan to sell collectors a special envelope and stamp pane to help protect the stamp.

It will take less than 2 hours for the eclipse to move coast to coast, starting in Oregon at 10:00 AM PDT and exiting in South Carolina at 2:45 PM EDT. Barring weather, folks in 14 states will get to observe the effects of a total solar eclipse. It is recommended that those who wish to insure themselves a view travel west, to central-eastern Oregon, Idaho, or perhaps Wyoming. Skies are generally clear there in August.

For those of us in Rochester we can expect about 75% eclipse coverage on August 21, but do not fret. The next solar eclipse for North America will come directly over our heads. We only have to wait until April 8, 2024!